



OBSESSED WITH HIGH RESOLUTION

# LSX Accessories

## B1 Wall Bracket

### LSX Accessories

Consisting of three models – the S1 (floor stand), the B1 (wall bracket) and the P1 (desk pad) – the LSX Accessories family maximises the flexibility of LSX, allowing for effortless integration into the listening environment whilst maximising performance. A mixture of premium materials, exquisite design and useful features come together to ensure that, whether out in the room, on a table or affixed to the wall, LSX continues to deliver in style.

### B1 Wall Bracket

The B1 wall bracket enables the LSX to be affixed to the wall with minimum fuss and maximum flexibility. Using the integrated mounting system and adjustable dais, LSX can be angled sideways and downwards as required. Quick to install and featuring cable management, the B1 wall bracket is as exquisite and 'plug-and-play' as LSX itself.



### Features:

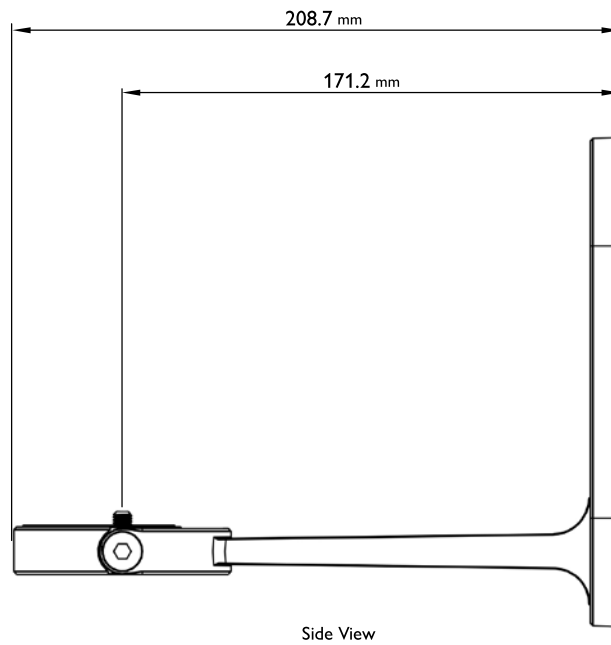
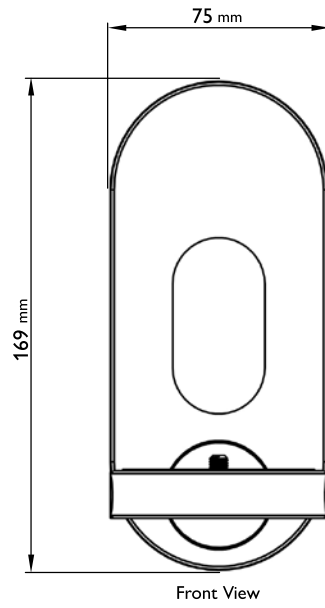
- 1/4" screw mounting for use with LSX
- Aluminium construction for rigidity and stability
- 40° downward tilt
- 90° sideways speaker positioning in both directions
- Integrated cable management system
- Available finishes: Black / Silver





OBSSESSED WITH HIGH RESOLUTION

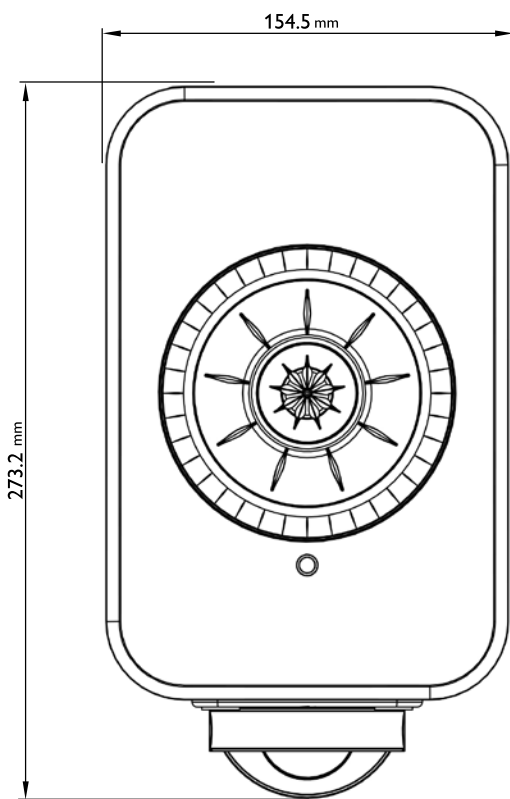
### Dimensions without LSX speaker



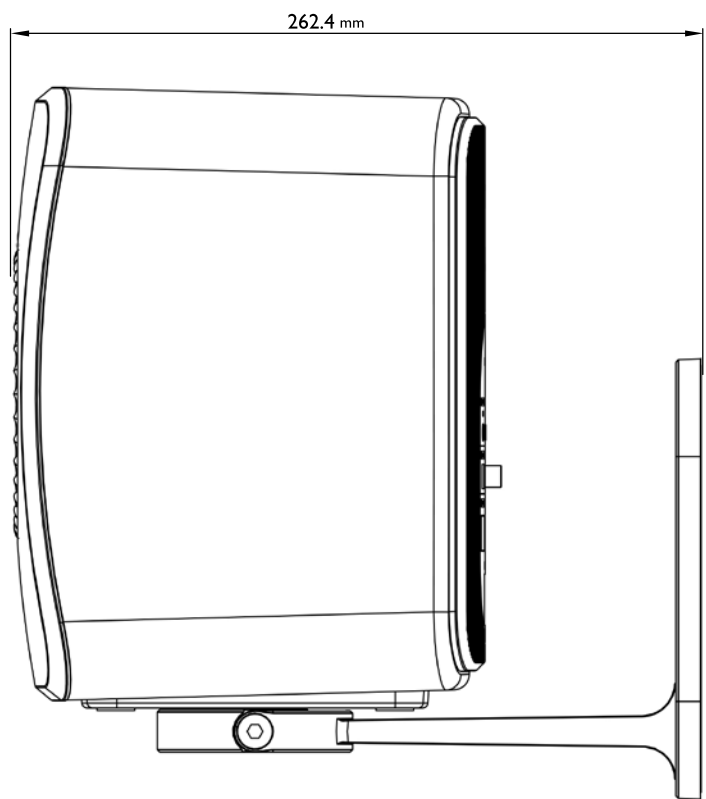


OBSESSED WITH HIGH RESOLUTION

### Dimensions with LSX speaker



Front View



Side View